

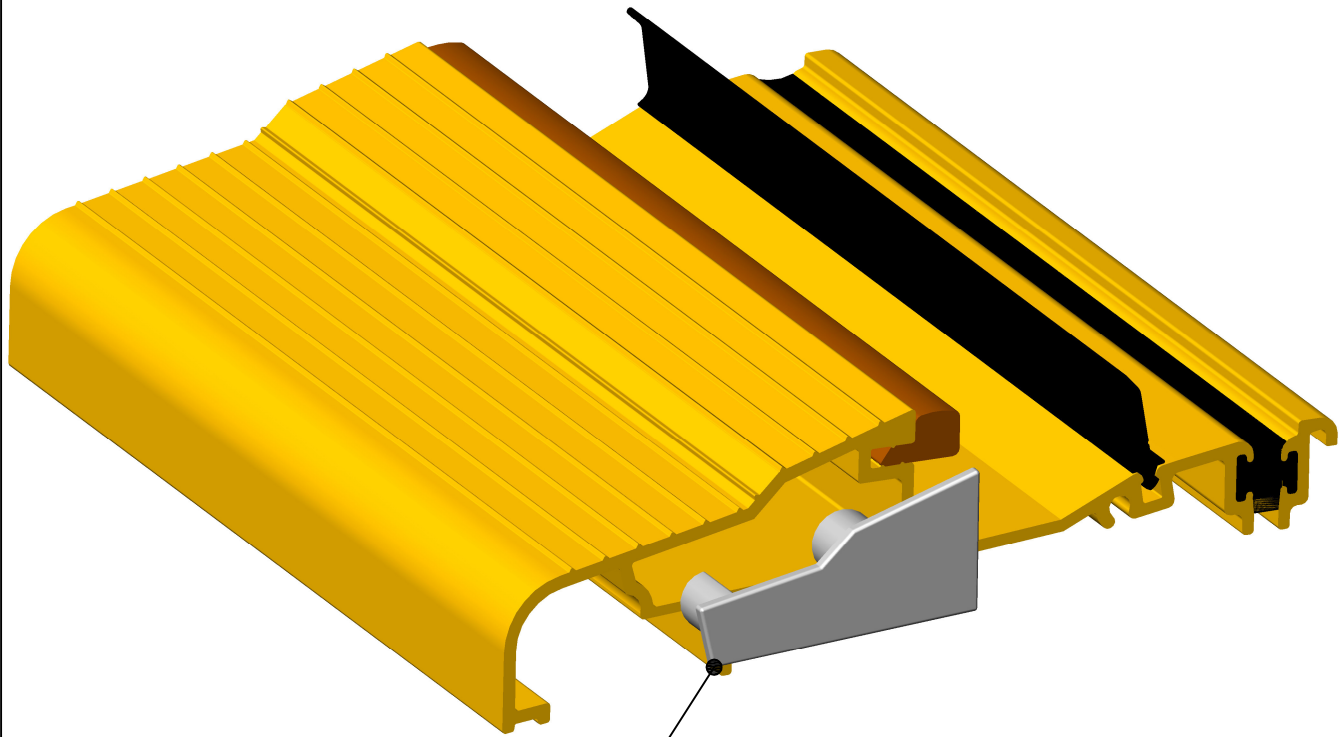
# PROLINE AM - Low Threshold System

Scale 1:1 | PROLINE AM3EX SUBSILL INWARD OPENING THRESHOLD SILL

Code: 04CP316



Regency Mill, Chester Road, Macclesfield, Cheshire, SK11 8HR  
Tel: 01625 613311 Fax: 01625 614434



PUSH FIT END CAPS (22CP135) SUPPLIED WITH PROLINE AM3EX SUBSILL

